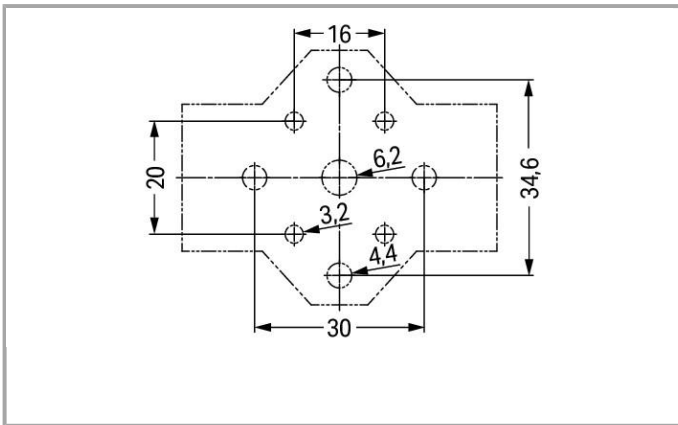
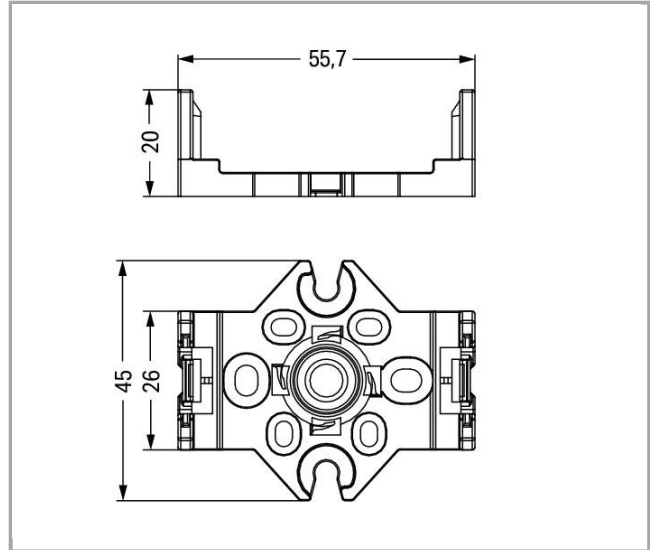


Data sheet | Item number: 770-625

Mounting plate; 5-pole; for distribution connectors; Plastic



770-625



Data

Electrical data

Note on Contact Resistance

approx. 1mΩ contact resistance

approx. 0.25mΩ contact transition plug/socket

## Mechanical data

Mounting type	Screw mounting
Protection class	IP20
Note on protection class	Only in mated condition with strain relief housing (These compact connectors are not designed for use in open, easily accessible areas.)

## Plug connection

Mismating protection	Yes
Locking of plug-in connection	locking lever

## Material Data

Color	black
Insulating material	Polyamide 66 (PA 66)
Flammability class per UL94	V0
Contact material	Copper or copper alloy, surface-treated
Fire load	0.195 MJ
Weight	6.4 g

## Environmental Requirements

Surrounding air (operating) temperature	-35 ... 85 °C
Processing temperature	-5 ... +40 °C
Continuous operating temperature	-35 ... +85 °C
Note on Continuous Service Temperature	Insulating parts for temperatures $\leq$ 105 °C

## Commercial data

Product Group	20 (WINSTA)
Country of origin	DE
GTIN	4017332755399
Customs Tariff No.	39269097900

## Compatible products

### assembling

	<b>Item no.: 770-601</b> Fixing pin; 6 mm Ø, for 1.0 ... 2.5 mm mounting plates; Plastic	770-601
	<b>Item no.: 890-601</b> Fixing pin; 6 mm Ø, for 1.0 ... 2.5 mm mounting plates; Plastic	890-601



Downloads

Documentation

Bid Text

---

770-625	Apr 4, 2012	doc	Download
WINSTA Zubehoer		23.0 kB	

---

CAD/CAE - Smart Data

CAD data

---

3D Download 770-625		URL	Download
---------------------	--	-----	----------

---

Subject to changes.

---